



SP 1400A

MINIBUS CASSETTE LIFT

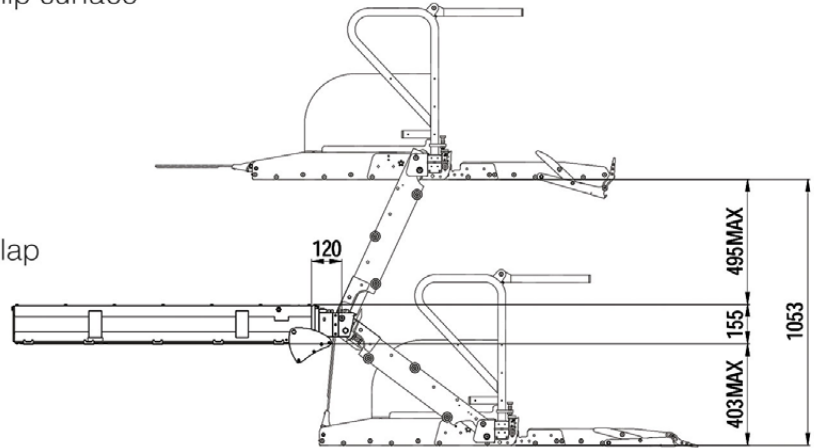


SP 1400A is a semi-automatic retractable lift with increased lifting capacity and larger platform, designed for side or rear installation.

Thanks to its compact dimensions and increased up/down travel , **SP 1400A** is suitable for a wide range of vehicles.

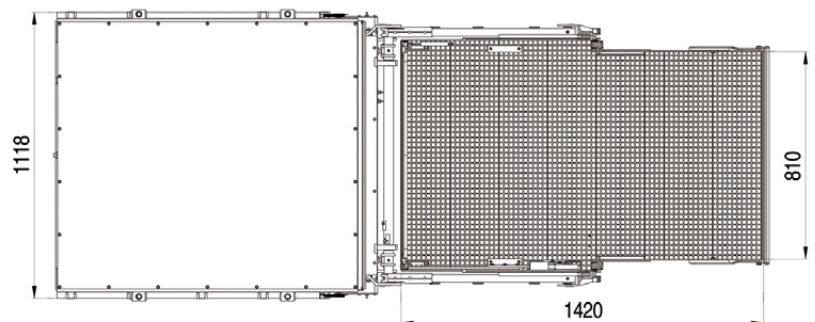
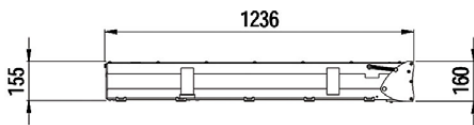
The lift main parts as platform and cassette are made of aluminum that allow to maintain very low the lift weight.

- Platform with extruded aluminum antislip surface
- Watertight containment cassette
- Controlled with 2 or 4 buttons pendant control switch
- Automatic front safety flap with mechanical operation
- Automatic and adjustable rear safety flap
- Auxiliary emergency hand pump
- Extended handrails



OPTIONAL

- Wireless remote control



SP 1400A Technical specifications

- Loading capacity 400 kg
- Electrical system 12/24 V
- Platform width 810 mm
- Platform length 1420 mm
- Own weight 400 kg

AUTOLIFT S.r.l.

Via B. Trentin, 8 - 46020 Pegognaga (MN)

Tel. +39 0376 550375 - Fax +39 0376 553728 - E-mail info@autoliftsrl.com

www.autoliftsrl.com