



SP 1100A

MINIBUS CASSETTE LIFT

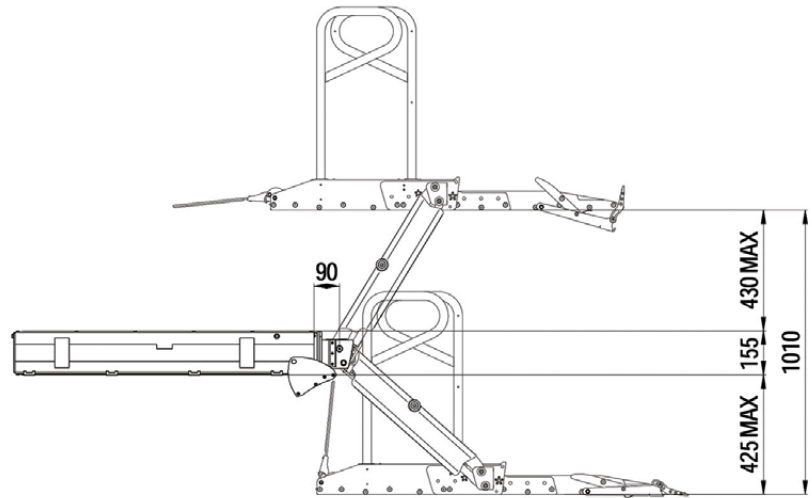


SP 1100A is a semi-automatic retractable lift developed to be fitted in the side or rear under the vehicles floor.

Thanks to the compact dimensions of the cassette and the different available lengths of arms, the **SP 1100A** is a lift suitable for a wide range of vehicles.

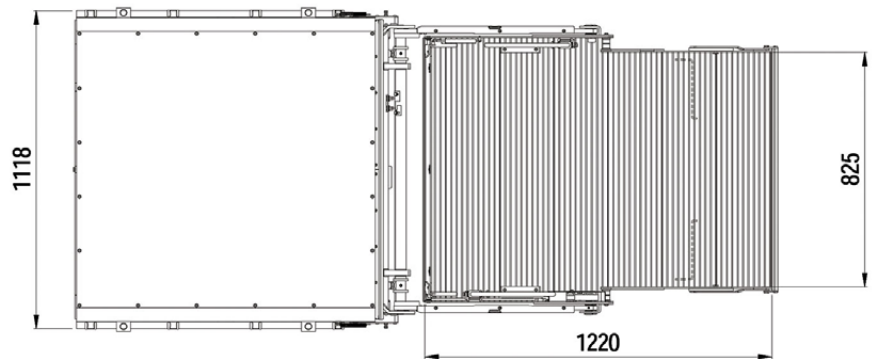
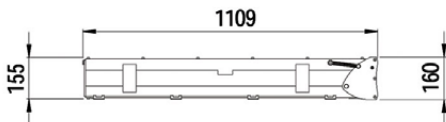
The cassette and the platform of the **SP 1100A** is fully manufactured in aluminum that allows us to achieve a very low lift weight.

- Platform with extruded aluminum antislip surface
- Watertight containment cassette
- Controlled with a 4 button pendant control switch
- Automatic front safety flap with mechanical operation
- Automatic and adjustable rear safety flap
- Auxiliary emergency hand pump



OPTIONAL

- Safety handrails on the platform
- Wireless remote control



SP 1100A Technical specifications

- Loading capacity 350 kg
- Electrical system 12/24 V
- Platform width 825 mm
- Platform length 1220 mm
- Own weight 145 kg

AUTOLIFT S.r.l.

Via B. Trentin, 8 - 46020 Pegognaga (MN)

Tel. +39 0376 550375 - Fax +39 0376 553728 - E-mail info@autoliftsrl.com

www.autoliftsrl.com