

TWO PARTS VEHICLE RAMPS



Quick-lock system



Closing system



Anti-slip edges

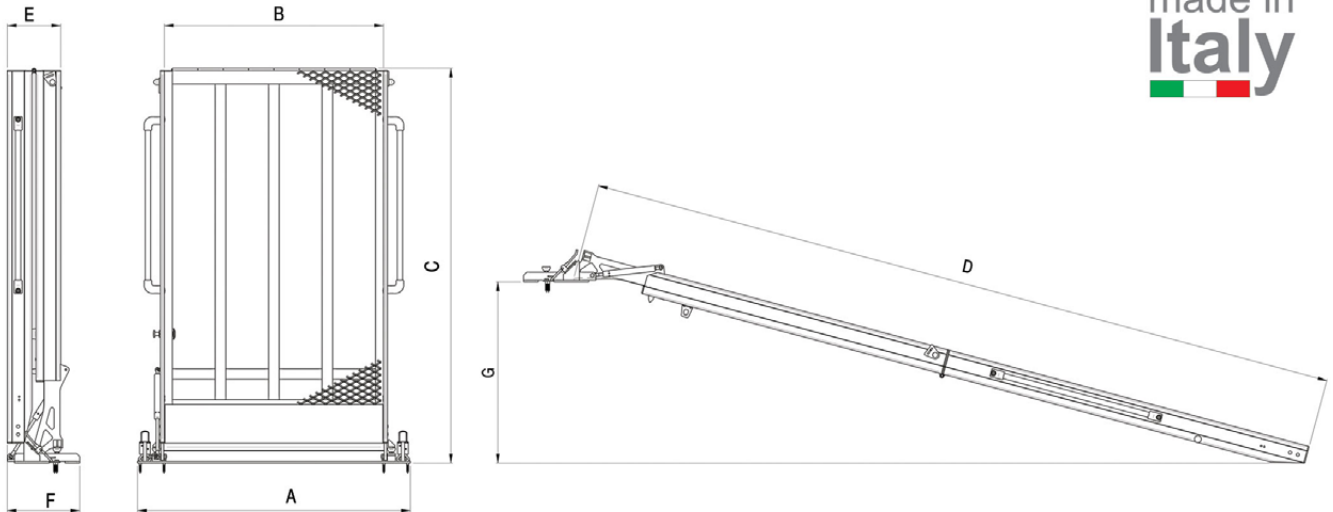


Safety belts



TWO PARTS VEHICLE RAMPS

made in
Italy

Technical Features

Art. Nr	Stationary Ramp Width A (mm)	Clear width B (mm)	Folded ramp height C (mm)	Extended Length D (mm)	Ramp depth E (mm)	Overall ramp depth F (mm)	Loading range height G (mm)	Ramp weight	Max load capacity
R-201-ST	1020	820	1102	2010	200	271	355-485	26 Kg	400 Kg
R-211-ST	1020	820	1152	2110	200	271	375-510	28 Kg	400 Kg
R-226-ST	1020	820	1227	2260	200	271	400-550	30 Kg	400 Kg
R-251-ST	1020	820	1352	2510	200	271	450-610	31 Kg	400 Kg
R-276-ST	1020	820	1477	2760	200	271	490-670	33 Kg	400 Kg

Special Executions

R-211-57	770	570	1152	2110	200	271	375-510	20 Kg	400 Kg
R-211-70	900	700	1152	2110	200	271	375-510	23 Kg	400 Kg

AUTOLIFT S.r.l.

Via B. Trentin, 8 - 46020 Pegognaga (MN)

Tel. +39 0376 550375 - Fax +39 0376 553728 - E-mail info@autoliftsrl.com

www.autoliftsrl.com