

## TWO PARTS VEHICLE RAMPS



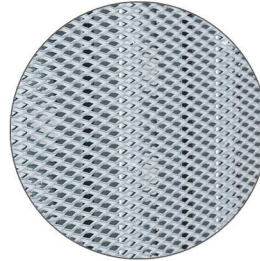
Quick-lock system



Grease gun



Heavy Duty  
tight mesh



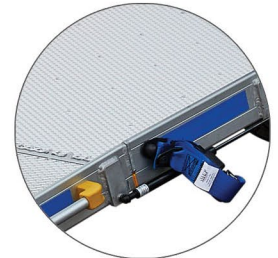
Highly reflective  
side profiles



Anti-slip edge +  
extra wheels



Gas spring between  
the two platforms



Safety belts

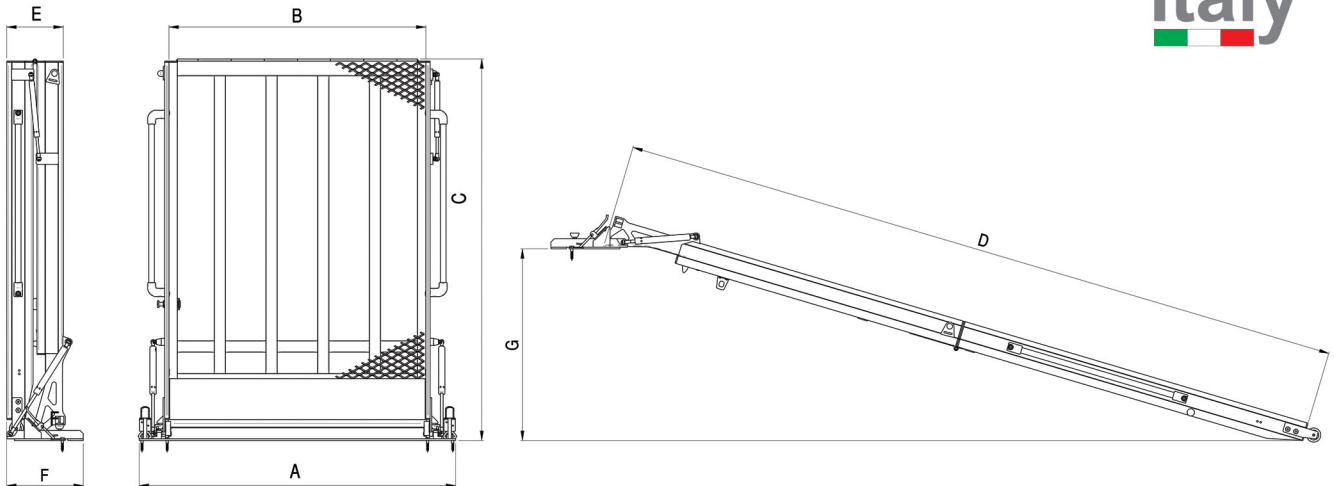


Additional gas spring  
on the baseplate



## TWO PARTS VEHICLE RAMPS

made in  
**Italy**

### Technical Features

Art. Nr	A (mm)	B (mm)	C (mm)	D (mm)	E (mm)	F (mm)	G (mm)	Ramp weight	Max load capacity
R-201-HD	1110	910	1227	2010	200	271	400-550	34 Kg	600 Kg
R-251-HD	1110	910	1352	2510	200	271	450-610	38 Kg	600 Kg

AUTOLIFT S.r.l.

Via B. Trentin, 8 - 46020 Pegognaga (MN)

Tel. +39 0376 550375 - Fax +39 0376 553728 - E-mail info@autoliftsrl.com

[www.autoliftsrl.com](http://www.autoliftsrl.com)