

TWO PARTS VEHICLE RAMPS



Safety lock system



Baseplate mount



Heavy Duty
tight mesh



Anti-slip edges



Extra wheels

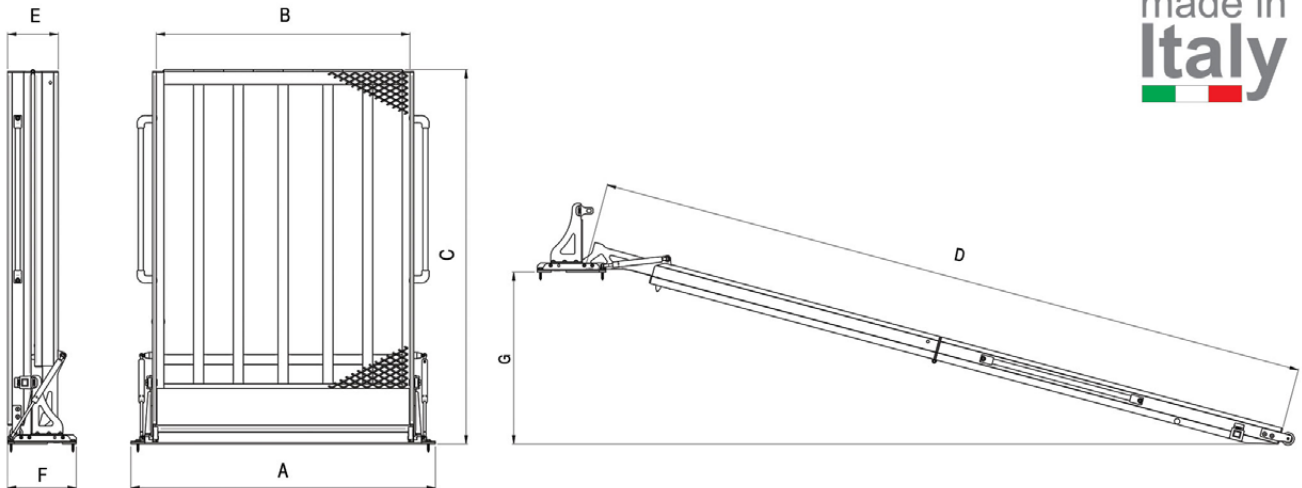


Additional gas spring



TWO PARTS VEHICLE RAMPS

made in
Italy



Technical Features

Art. Nr	A (mm)	B (mm)	C (mm)	D (mm)	E (mm)	F (mm)	G (mm)	Ramp weight	Max load capacity
R-251-91-EVO	1110	910	1352	2510	200	271	450-610	37 Kg	400 Kg
R-276-91-EVO	1110	910	1477	2760	200	271	490-670	39 Kg	400 Kg
R-251-10-EVO	1200	1000	1352	2510	200	271	450-610	42 Kg	400 Kg
R-276-10-EVO	1200	1000	1477	2760	200	271	490-670	44 Kg	400 Kg

Special Executions

R-226-82-EVO	1020	820	1227	2260	200	271	400-550	33 Kg	400 Kg
R-226-91-EVO	1110	910	1227	2260	200	271	400-550	37 Kg	400 Kg
R-226-10-EVO	1200	1000	1227	2260	200	271	400-550	42 Kg	400 Kg

AUTOLIFT S.r.l.

Via B. Trentin, 8 - 46020 Pegognaga (MN)

Tel. +39 0376 550375 - Fax +39 0376 553728 - E-mail info@autoliftsrl.com

www.autoliftsrl.com