



ONDA
OW SERIES

THE EFFICIENT AND COMFORTABLE WHEELCHAIR
LIFT WITH VERTICALLY FOLDING PLATFORM



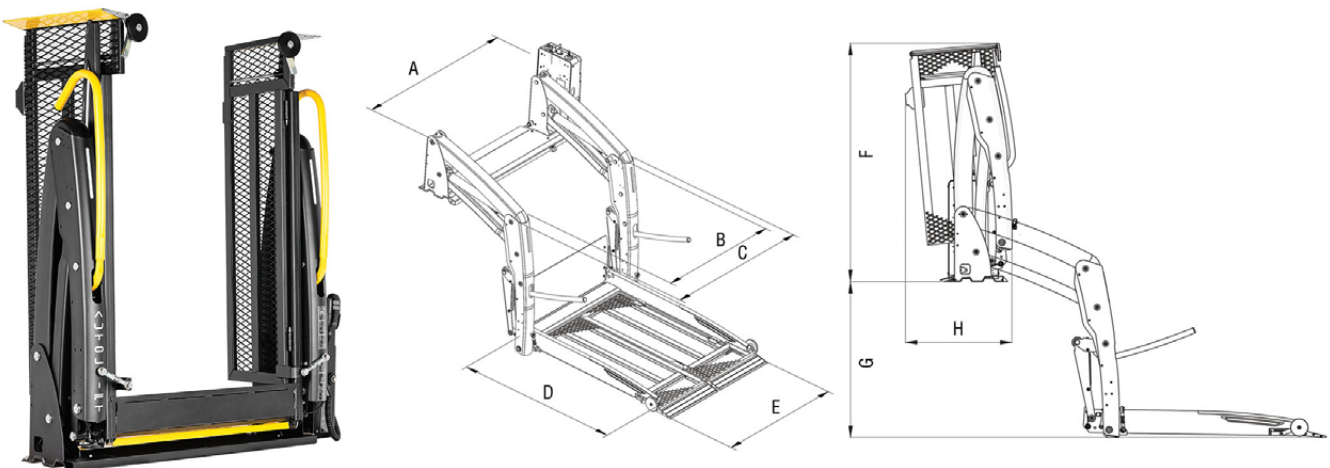
ONDA OW Series

The Autolift solution to provide easy access and good visibility

- Efficiency** Consuming 30% less energy, ONDA is the most efficient lift available.
- Stability** ONDA's patented unique structure is stiffer than competing systems providing the customer with stability.
- Design** In addition to providing best in class aesthetic design, ONDA offers a more space efficient structure.
- Comfort** Onda achieves unrivalled comfort when equipped with its optional platform lighting system and the lowering speed control which dramatically reduces start-up accelerations.

OW SPECIFICATIONS

- Vertically folding platform
- Powder Coating
- Two-buttons control unit
- Reduced base plate height
- Automatic roll-stop plate
- Automatic bridging plate
- Auxiliary pump and lowering valve
- Automatic extendible handrails
- EMC tested
- EC Standards compliant
- Crash tested
- Weather Conditions Tested



Technical Features

	Baseplate width	Clear entry width	Traveling frame width	Overall platform length	Overall platform width	Overall lift height	Max loading height	Overall lift depth	Rated load capacity (Kg)	Lift weight (Kg)
	A	B	C	D	E	F	G	H		
OW 1060	1074	772	956	1060	710	1174	800	514	400	126
OW 1100	1177	876	1062	1110	815	1222	800	570	400	145
OW 1320	1177	876	1062	1330	815	1442	800	572	400	155

AUTOLIFT S.r.l.

Via B. Trentin, 8 - 46020 Pegognaga (MN)

Tel. +39 0376 550375 - Fax +39 0376 553728 - E-mail info@autoliftsrl.com

www.autoliftsrl.com