



# ONDA OS SERIES

## THE EFFICIENT AND COMFORTABLE WHEELCHAIR LIFT WITH HORIZONTAL FOLDING PLATFORM



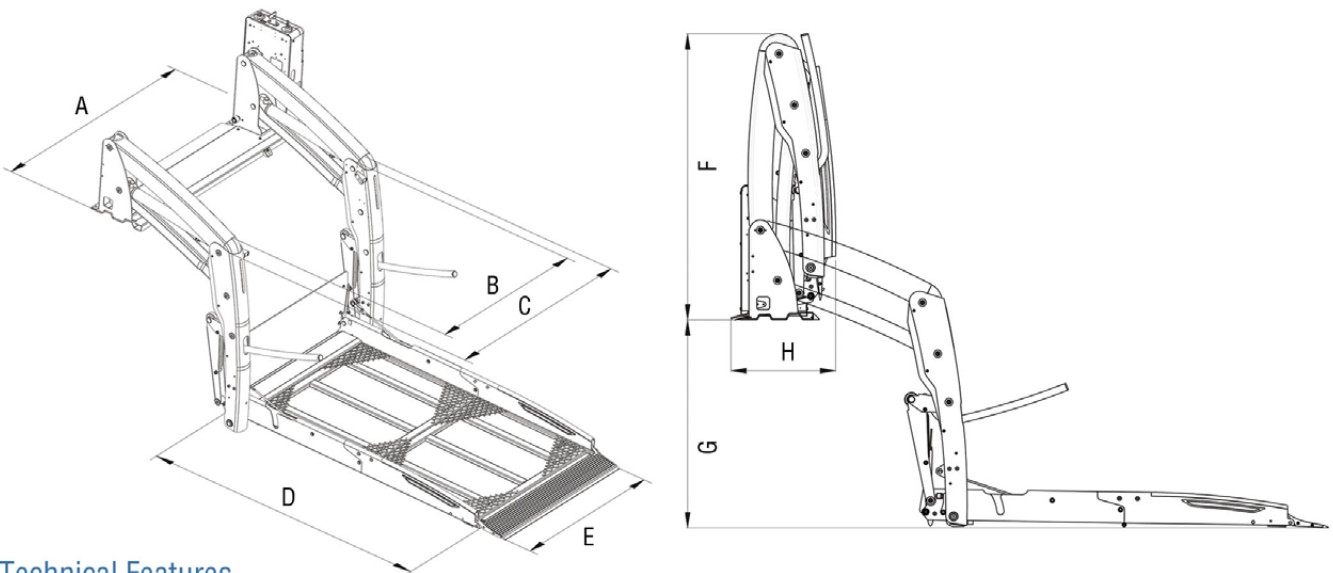
### ONDA OS Series

The Autolift solution to stow a large platform in a low roof vehicle, providing a good rear visibility

- Efficiency** Consuming 30% less energy, ONDA is the most efficient lift available.
- Stability** ONDA's patented unique structure is stiffer than competing systems providing the customer with stability.
- Design** In addition to providing best in class aesthetic design, ONDA offers a more space efficient structure.
- Comfort** Onda achieves unrivalled comfort when equipped with its optional platform lighting system and the lowering speed control which dramatically reduces start-up accelerations.

### OS SPECIFICATIONS

- Horizontally folding platform
- Powder coating
- Two-buttons control unit
- Reduced base plate height
- Automatic roll-stop plate
- Automatic bridging plate
- Auxiliary pump and lowering valve
- Automatic extendible handrails
- EMC tested
- EC standards compliant
- Crash tested
- Weather conditions tested



### Technical Features

	Baseplate width		Clear entry width		Traveling frame width		Overall platform length		Overall platform width		Overall lift height		Max loading height		Overall lift depth		Rated load capacity (Kg)		Lift weight (Kg)	
	A	B	C	D	E	F	G	H												
OS 1150	1076	772	958	1130	710	1107	800	367	400	122										
OS 1395	1180	876	1062	1380	815	1107	800	367	400	149										
OS 1495	1180	876	1062	1480	815	1107	800	370	400	155										
OS 1500	1270	966	1152	1480	900	1107	800	370	400	160										

AUTOLIFT S.r.l.

Via B. Trentin, 8 - 46020 Pegognaga (MN)

Tel. +39 0376 550375 - Fax +39 0376 553728 - E-mail info@autoliftsrl.com

[www.autoliftsrl.com](http://www.autoliftsrl.com)