



ONDA
OB SERIES

THE EFFICIENT AND COMFORTABLE WHEELCHAIR
LIFT WITH SOLID PLATFORM



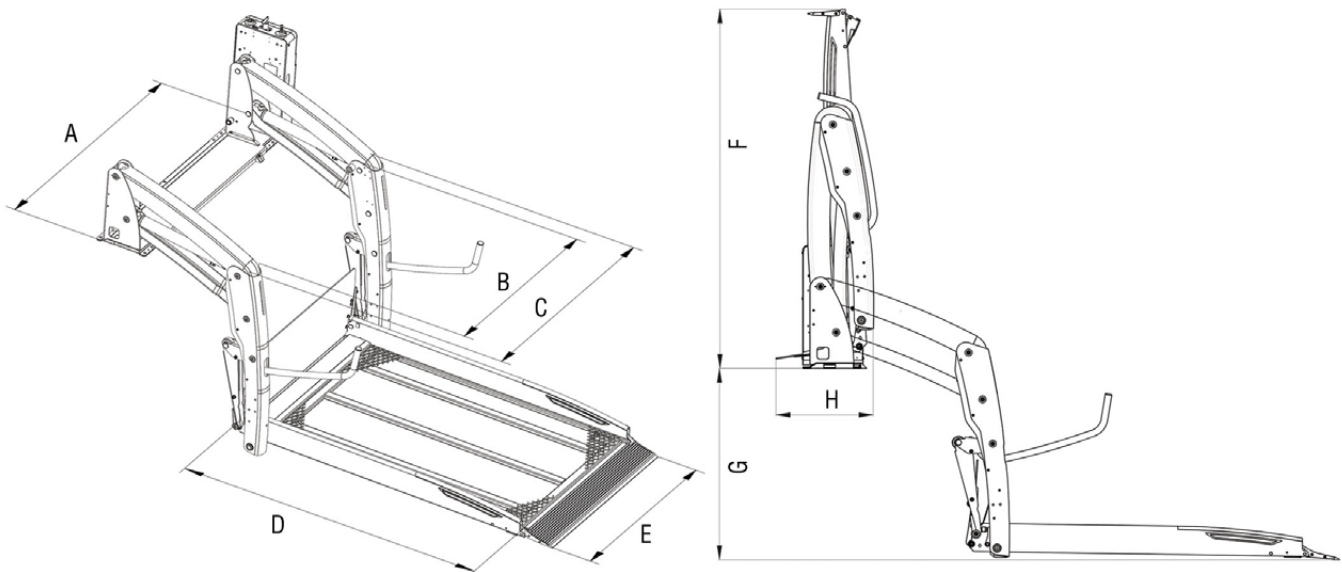
ONDA OB Series

The compact and robust solution for heavy duty use

- Efficiency** Consuming 30% less energy, ONDA is the most efficient lift available.
- Stability** ONDA's patented unique structure is stiffer than competing systems providing the customer with stability.
- Design** In addition to providing best in class aesthetic design, ONDA offers a more space efficient structure.
- Comfort** Onda achieves unrivalled comfort when equipped with its optional platform lighting system and the lowering speed control which dramatically reduces start-up accelerations.

OB SPECIFICATIONS

- Solid platform
- Powder Coating
- Two-buttons control unit
- Reduced base plate height
- Automatic roll-stop plate
- Automatic bridging plate
- Auxiliary pump and lowering valve
- Automatic extendible handrails
- EMC tested
- EC Standards compliant
- Crash tested
- Weather Conditions Tested



Technical Features

	Baseplate width	Clear entry width	Traveling frame width	Overall platform length	Overall platform width	Overall lift height	Max loading height	Overall lift depth	Rated load capacity (Kg)	Lift weight (Kg)
	A	B	C	D	E	F	G	H		
OB 1350	1178	876	1060	1330	815	1468	800	335	400	148
OB 1402	1276	976	1153	1380	910	1521	800	300	400	145

AUTOLIFT S.r.l.

Via B. Trentin, 8 - 46020 Pegognaga (MN)

Tel. +39 0376 550375 - Fax +39 0376 553728 - E-mail info@autoliftsrl.com

www.autoliftsrl.com