

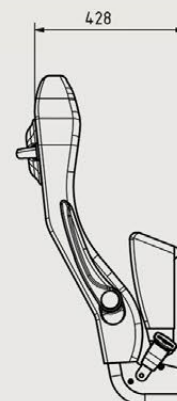
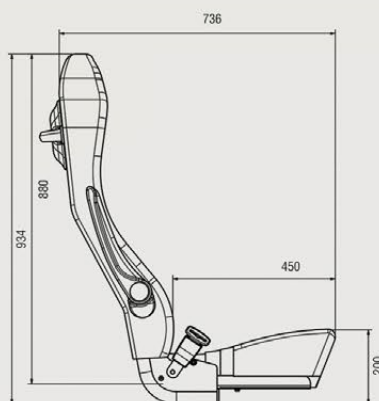
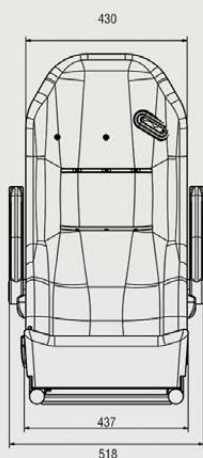
M1 SEAT, FIXED SEAT, FIXED BACKREST



The Linea seat has a captivating look, however without sacrificing comfort and sturdiness. It is an M1 seat with fixed backrest and 3-point seat belt with built-in pretensioner. Available in different configurations, with different fabrics and colours.

OPTIONS

- Armrests
- Quick-release foot
- Fixed foot
- 4-point static seat belts
- Available in different fabrics and finishes
- With ISOFIX
- Possibility of raisable seat



AUTOLIFT S.r.l.

Via B. Trentin, 8 - 46020 Pegognaga (MN)

Tel. +39 0376 550375 - Fax +39 0376 553728 - E-mail info@autoliftsrl.com

www.autoliftsrl.com