



i-swim

Push your  
boundaries



POOL LIFTS

Push your boundaries



## Technical features

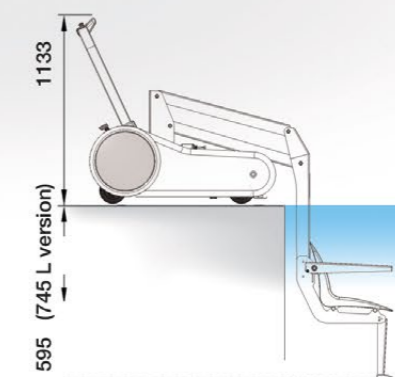
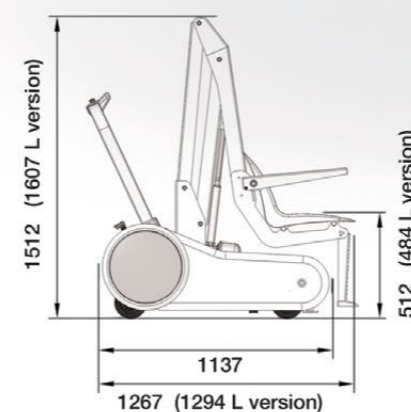
## i-swim and i-swim L

Structure Materials	Aluminum / Stainless Steel
Nr of Wheels	4 (2 with brake)
Lifting structure	Parallelogram
Painting	Powder Coating
Safety	Anti-Tip and Stabilizing System – Patented
Lifting Capacity	136 kg (120 kg i-swim L)
Own Weight	ca. 140 Kg
Voltage	24V
Battery datas	2 Batteries – 2 x 18Amp
Battery Working range	50 Cycles approx.
Battery Charger	Included
Instruments (on Handrail)	Battery Load Indicator
	Up-Down Push Buttons
	Emergency Stop Button

## i-swim complies the following regulations:

Directive 2006/42/CE  
 Directive 2004/108/EC  
 UNI EN ISO 10535  
 93/42/CEE

Machine Directive  
 EMC Electromagnetic Compatibility  
 Hoist For The Transfer of Disabled Persons  
 Medical Device Directive



## Dimensions and travel

	i-swim	i-swim L
Lenght	1267 mm	1294 mm
Width	640 mm	640 mm
Height	1512 mm	1607 mm
Seat max height	512 mm	484 mm
Seat travel down	595 mm	745 mm



# i-swim2

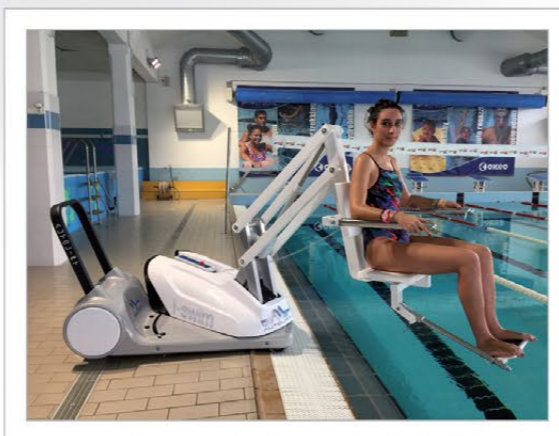
Standard - Maxi - SPA



Push your boundaries



Suitable for every kind of swimming pool deck

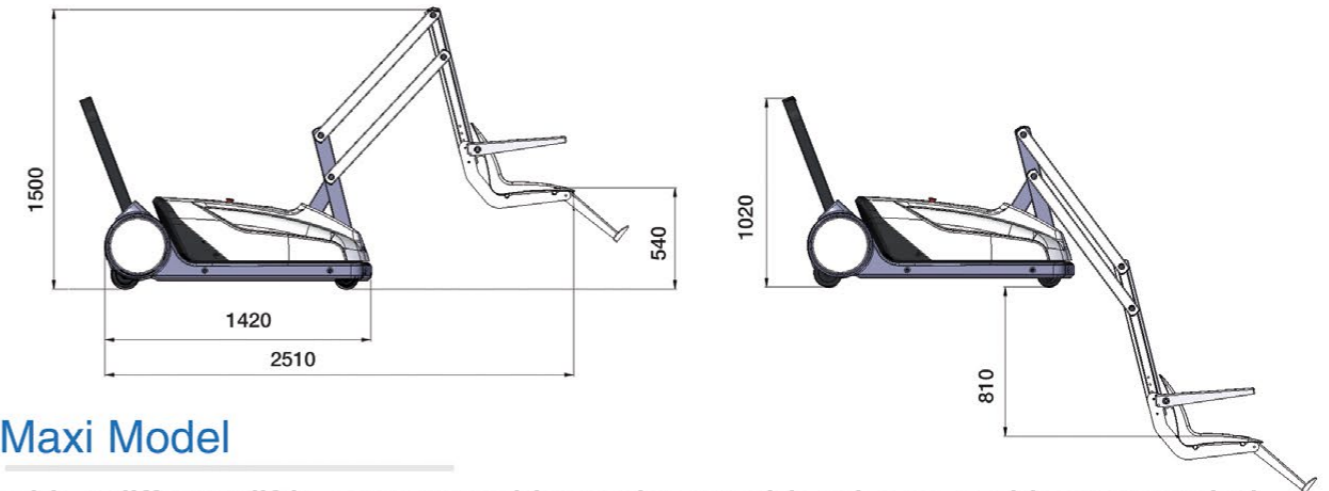


Turning seat for independent swimming pool access

i-swim2 enables independent swimming pool access.

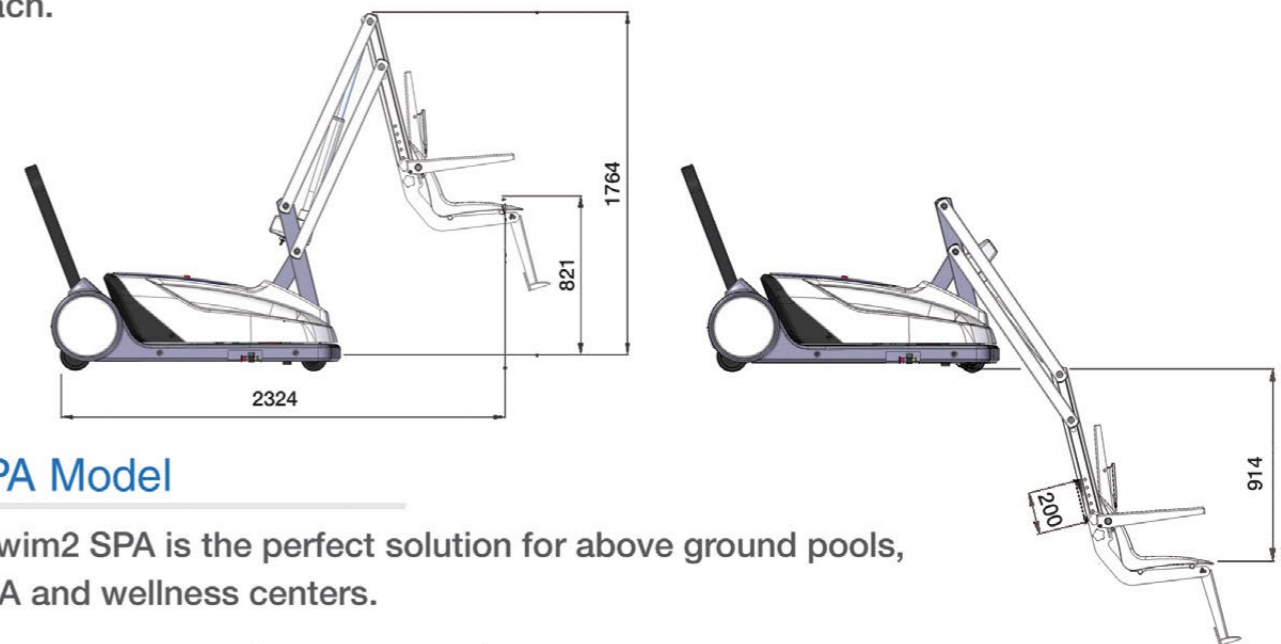
## Standard Model

i-swim2 is used in case of in-ground pools with / or without small curbs.



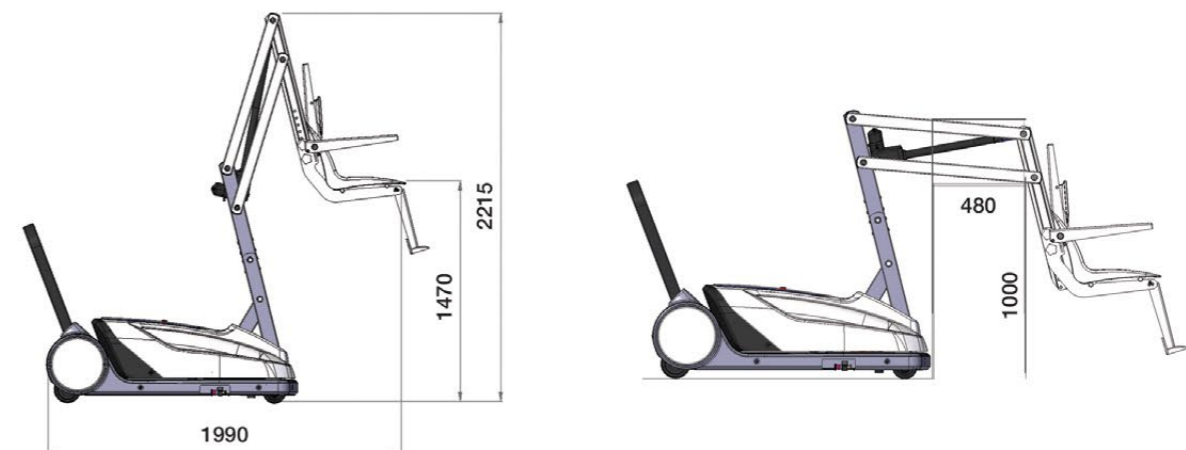
## Maxi Model

with a different lifting structure this version provides the user with an extended reach.



## SPA Model

i-swim2 SPA is the perfect solution for above ground pools, SPA and wellness centers.



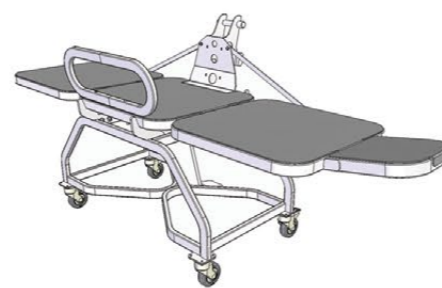
## Water access

In addition with the choosen lift model, the customer can order separately a mobile seat or stretcher. Thereby the same lift can be quickly configured for different needs.

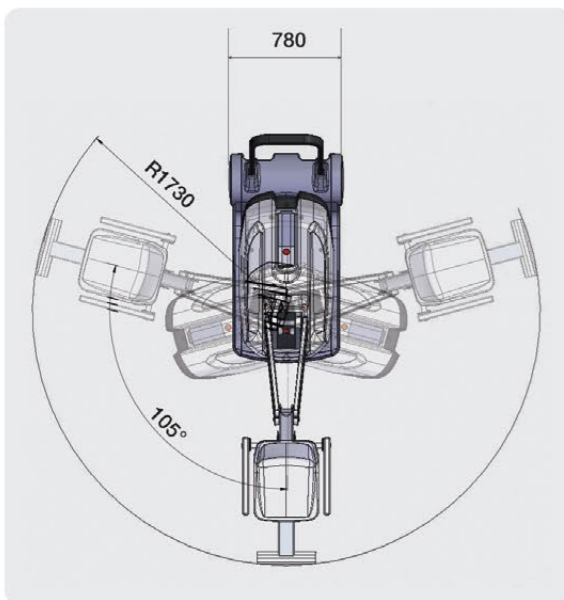
MOBILE SEAT



STRETCHER



### LIFT DIMENSION



### TECHNICAL FEATURES

Structure Materials	Aluminum / Stainless Steel
Nr of Wheels	4 (2 with brake)
Lifting structure	Parallelogram
Painting	Powder Coating
Lifting Capacity	136 kg (120 kg Maxi model)
Own Weight	ca. 300 kg
Voltage	24V
Battery datas	Range 50 cycles with charge indicator
Battery Charger	Included
Instruments	Pendant remote control Emergency Stop Button on the battery

i-swim2 complies the following regulations:

Directive 2006/42/CE  
Directive 2004/108/EC  
UNI EN ISO 10535  
93/42/CEE

Machine Directive  
EMC Electromagnetic Compatibility  
Hoist For The Transfer of Disabled Persons  
Medical Device Directive

# FIXED POOL LIFT

# i-swim3

Push your boundaries



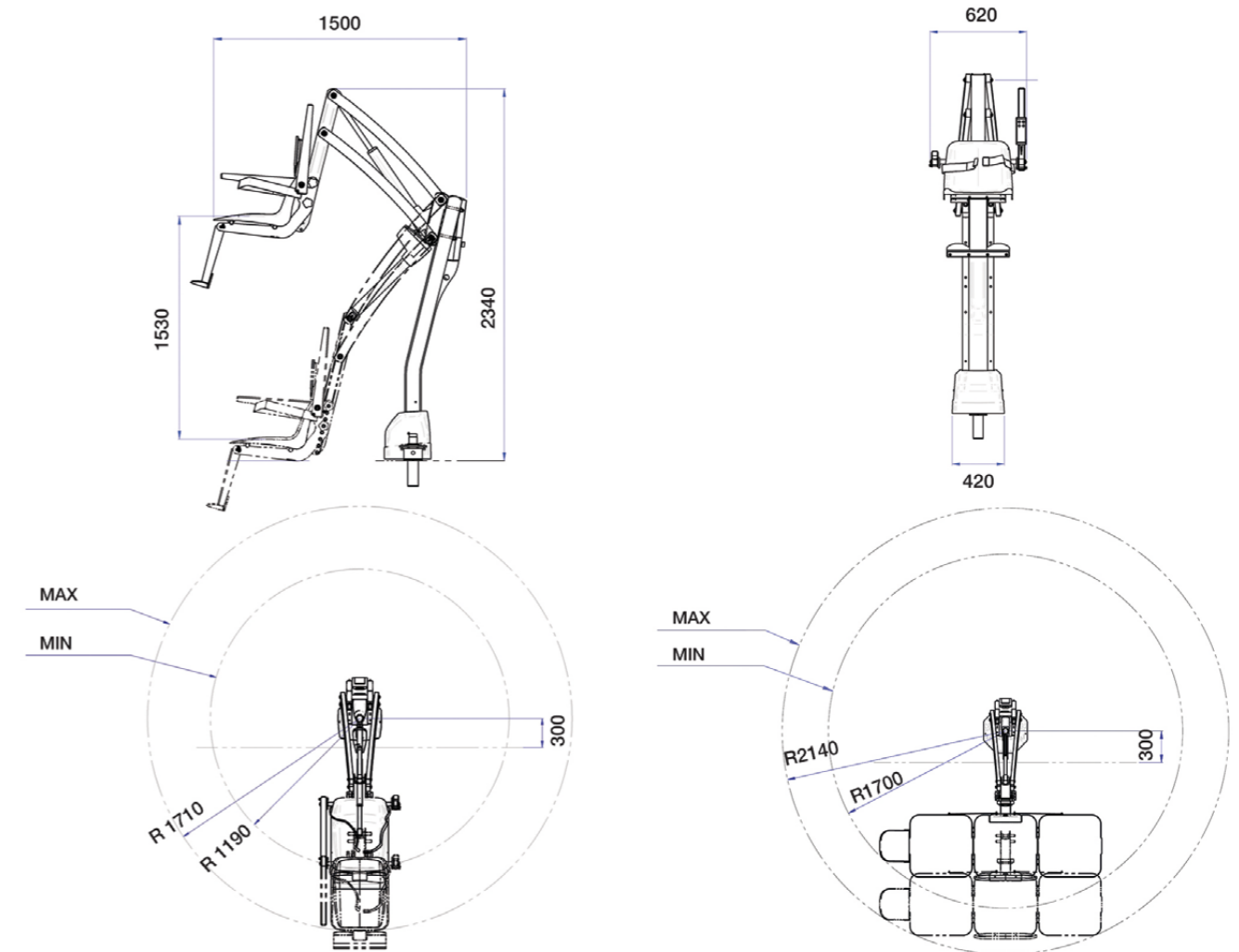
## i-swim3 – the innovative pool lift, adaptable to your needs

The unique movable arms system provides multiple configurations and great flexibility. I-swim3 is the smart solution for a wide range of pool decks, wellness and rehabilitation centers.

i-swim 3 is available in 2 different sizes: STANDARD with 180 kg lifting capacity, or MAXI with extended arms and 250 kg capacity.

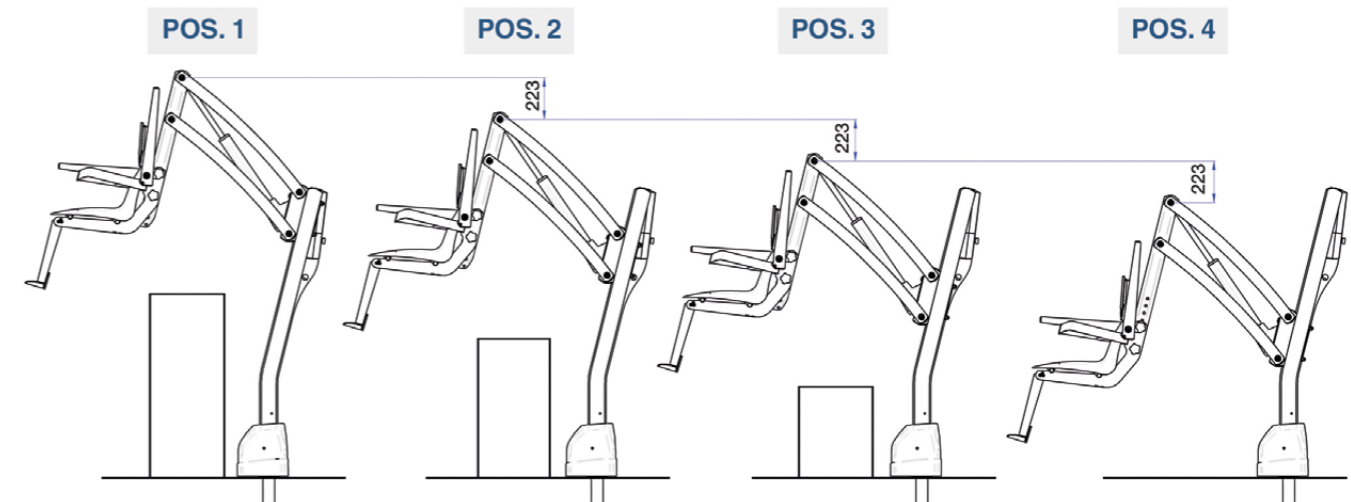
The lift can be equipped with a fix seat, movable seat or with a stretcher as well.

## Dimensions



## Configurations

The arms can be set in 4 different positions to configure the device for different pool decks.

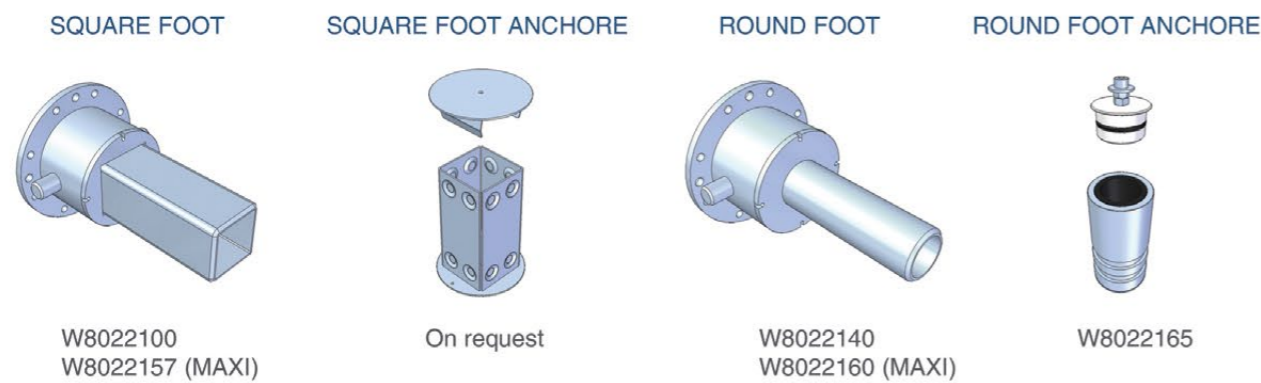


## Lift Models

Model	Description	Lifting Capacity	Max Travel
W80220002-01	i-swim3 Standard	180 kg	1530 mm
W80220002-02	i-swim3 MAXI	250 kg	1530 mm

## Lift Fixation

The lift fixation kit has to be ordered separately and customer can choose between a square foot or a round foot.



## Water access

In addition to the chosen lift Model the customer can order separately a different seat model or the stretcher. Thereby the same lift can be quickly configured for different needs.



## GENERAL TECHNICAL DATAS

Structure	Aluminum / Stainless Steel
Rotation	360°
Coating	Powder Coating
Lifting capacity	180 kg / 250 kg MAXI
Tension	24V
Battery charger	included
Battery duration	50 cycles
Controls	4 buttons Pendant Switch
	Emergency stop
	Battery load indicator

i-swim3 complies the following regulations:

Directive 2006/42/CE  
 Directive 2004/108/EC  
 UNI EN ISO 10535  
 93/42/CEE

Machine Directive  
 EMC Electromagnetic Compatibility  
 Hoist For The Transfer of Disabled Persons  
 Medical Device Directive



AUTOLIFT S.r.l.  
Via B. Trentin, 8 - 46020 Pegognaga (MN)  
Tel. +39 0376 550375 - Fax +39 0376 553728 - E-mail [info@autoliftsrl.com](mailto:info@autoliftsrl.com)

**[WWW.AUTOLIFTSRL.COM](http://WWW.AUTOLIFTSRL.COM)**