

MOTORHOME SEAT WITH TILTING BACKREST



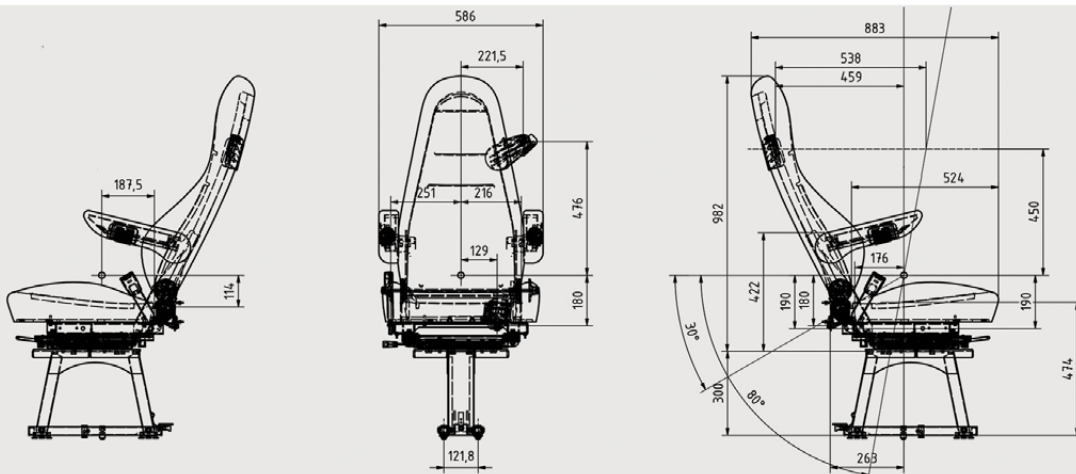
The GIS seat has an exceptional standard of comfort and was developed to be used as the driver's seat of motorhomes. Its look is attractive and it features a fixed seat and tilting backrest.

It is an M1 seat with 3-point seat belt with built-in pretensioner and adjustable headrest.

Available in different configurations, with different fabrics and leathers.

OPTIONS

- Armrests adjustable in height
- Secured with sliding guides
- Quick-release foot
- Fixed foot
- Available in different fabrics and finishes



AUTOLIFT S.r.l.

Via B. Trentin, 8 - 46020 Pegognaga (MN)

Tel. +39 0376 550375 - Fax +39 0376 553728 - E-mail info@autoliftsrl.com

www.autoliftsrl.com