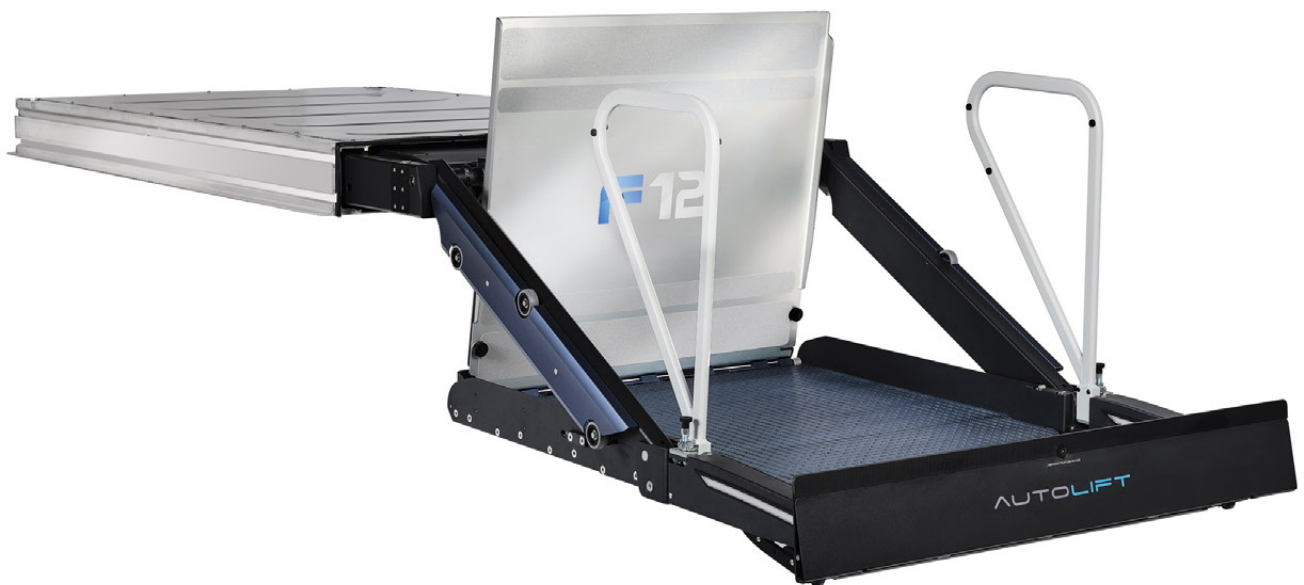


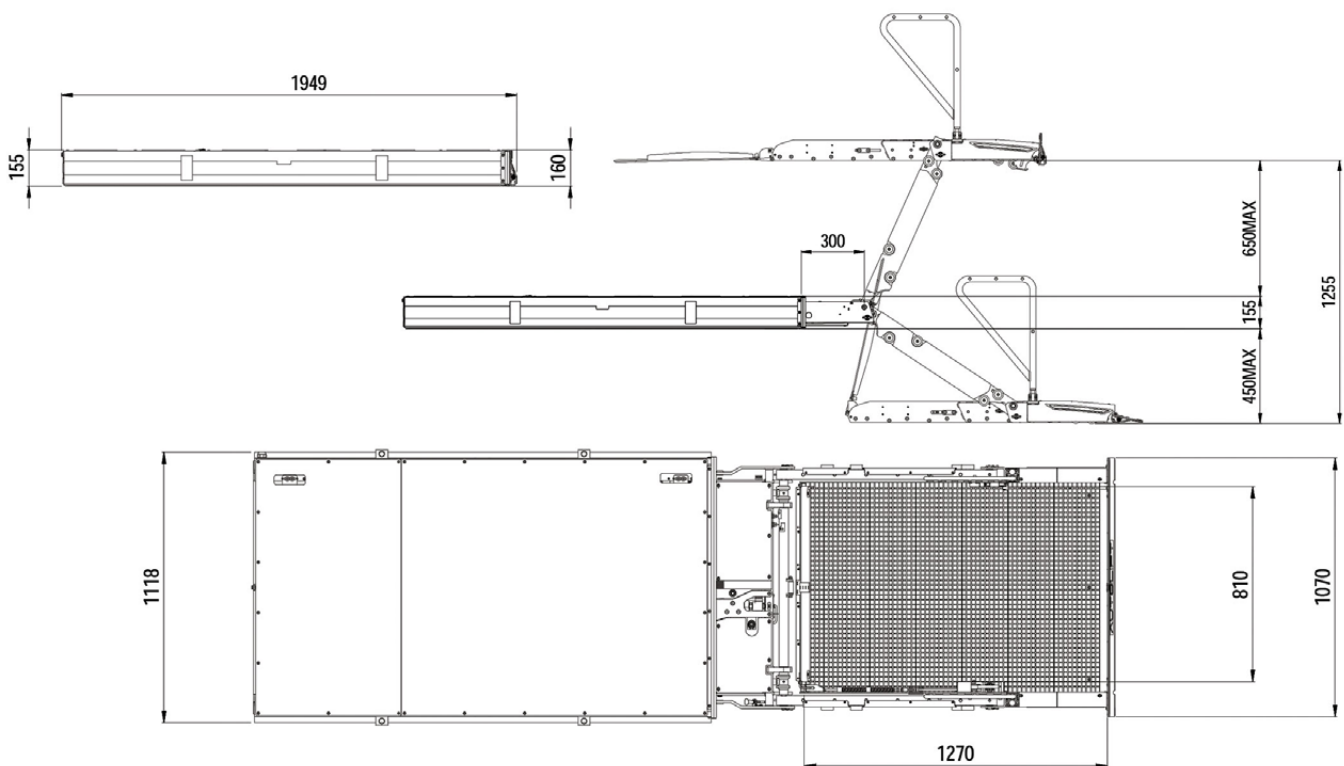
## THE COACH AND CITYBUS STEP LIFT



### F12

The lightest Bus Lift available on the market with the best in class aesthetic. F12 offers a platform with draining surface and LED illumination. Movable fixing supports and plug n' play connections grant a quick installation.

- Platform with custom made draining and antislip surface
- LED lights integrated in the platform frame illuminate the way to the lift
- Aluminum watertight containment cassette
- Multidrive Roll-Stop mechanism grants a leakage free and maintenance free function
- F12 Plug n' Play interface to the vehicle and the hydraulic unit built in the lift frame eliminate the need of electric / hydraulic installations in the luggage compartment
- Movable fixing supports reduce dramatically the installation time



## F12 Technical specifications

Lifting capacity 350 kg  
Own weight < 200 kg  
Platform dimension 810 x 1270 mm  
Lifting height 1255 mm

AUTOLIFT S.r.l.

Via B. Trentin, 8 - 46020 Pegognaga (MN)

Tel. +39 0376 550375 - Fax +39 0376 553728 - E-mail [info@autoliftsrl.com](mailto:info@autoliftsrl.com)

[www.autoliftsrl.com](http://www.autoliftsrl.com)