

## ALUMINUM LIFTS WITH HORIZONTALLY FOLDING PLATFORM

Lightweight plus good visibility



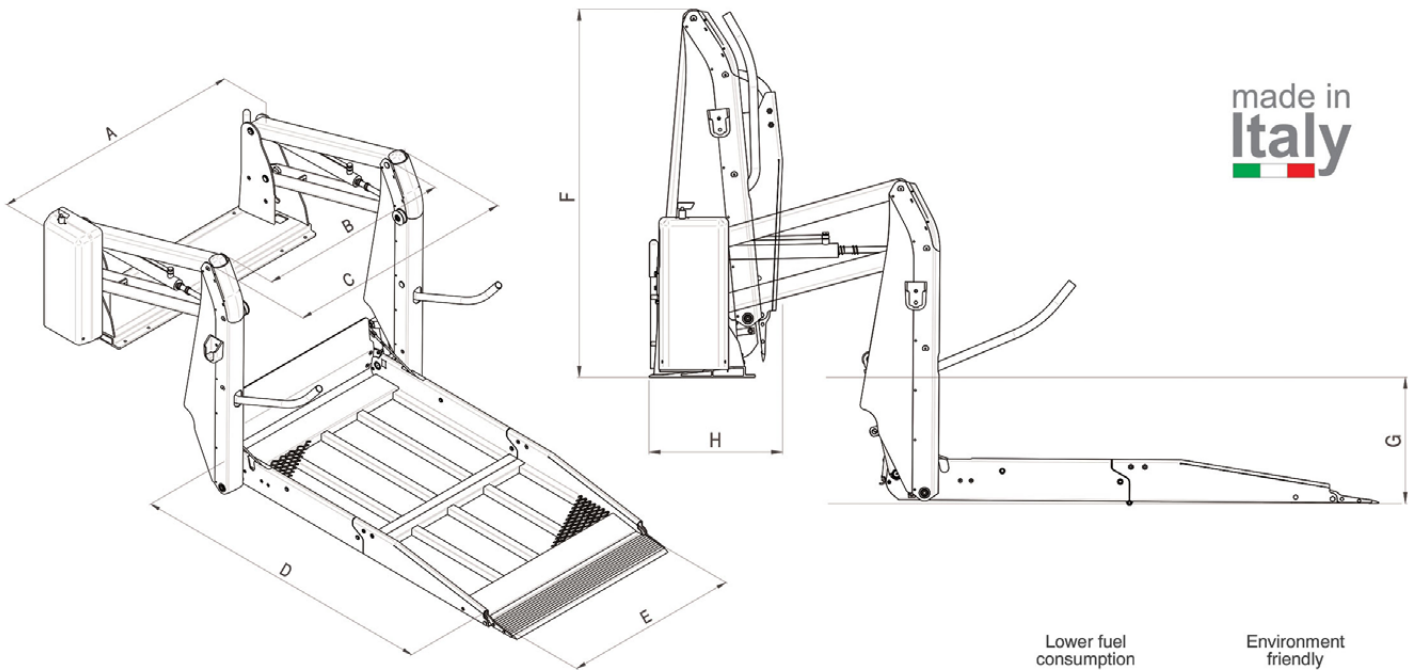
### SAFETY DEVICES

- Anti-tilting control valve
- Front safety roll-stop on the automatic loading platform
- Rear safety roll-stop on the automatic loading platform
- Automatic extendable/retractable handrails

### EMERGENCY

- Emergency operation lift via auxiliary hydraulic pump
- Emergency descent by unlocking descent valve

The electro-hydraulic lifts in the **BAS Series** have automatic, aluminum twin-arms and horizontally foldable platform. Thanks to a two-button control unit and the use of top quality materials, these devices are not only user friendly, they are also extremely reliable. Available in a wide range of sizes, they can be internally rear or side mounted in a wide variety of people carriers. The aluminum structure of BAS lifts is completely corrosion proof and its light weight ensures considerable fuel saving, whilst remaining sturdy and reliable.



made in  
Italy



Lower fuel  
consumption



Environment  
friendly



## Technical Features

|          | Baseplate width | Clear entry width | Traveling frame width | Overall platform length | Overall platform width | Overall lift height | Max loading height | Overall lift depth | Rated load capacity (Kg) | Lift weight (Kg) |
|----------|-----------------|-------------------|-----------------------|-------------------------|------------------------|---------------------|--------------------|--------------------|--------------------------|------------------|
|          | A               | B                 | C                     | D                       | E                      | F                   | G                  | H                  |                          |                  |
| BAS 1395 | 1190            | 875               | 1045                  | 1400                    | 800                    | 1190                | 920                | 450                | 350                      | 109              |

### Series BAS Technical specifications

Movement powered by two hydraulic cylinders  
Anti-rust powder paint coating  
100% corrosion and rust proof  
Self-lubricating bushings and pins

All-aluminum, horizontally folding platform with anti-slip surface  
Two-button control unit  
12-24V Electrical System  
For use at temperatures between -30°C and +70°C  
Valid EMC accreditation (E50)  
EC standard compliant

AUTOLIFT S.r.l.

Via B. Trentin, 8 - 46020 Pegognaga (MN)

Tel. +39 0376 550375 - Fax +39 0376 553728 - E-mail info@autoliftsrl.com

[www.autoliftsrl.com](http://www.autoliftsrl.com)