

ALUMINUM LIFTS WITH A ONE-PIECE PLATFORM

Lightweight yet robust



SAFETY DEVICES

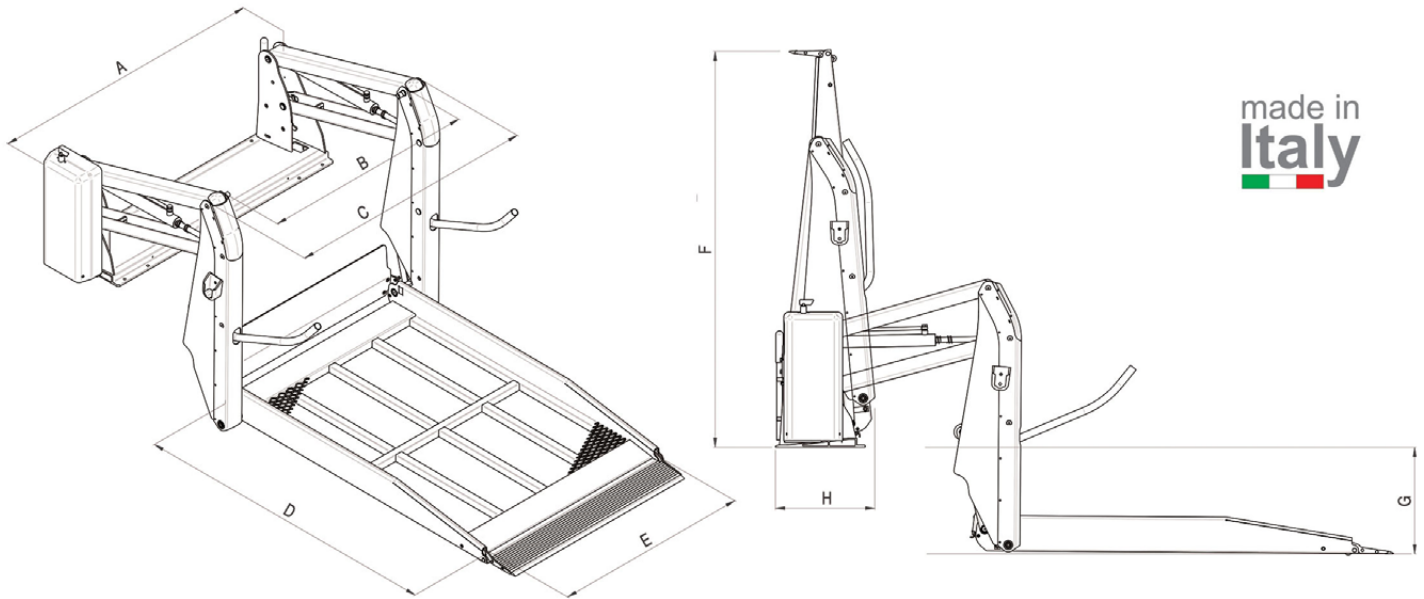
- Anti-tilting control valve
- Front safety roll-stop on the automatic loading platform
- Rear safety roll-stop on the automatic loading platform
- Automatic extendable/retractable handrails

EMERGENCY

- Emergency operation lift via auxiliary hydraulic pump
- Emergency descent by unlocking descent valve

ALSF
AUTOLIFT SPACE FRAME

The electro-hydraulic lifts in the **BAI Series** have automatic, aluminum twin-arms and horizontal platform. Thanks to a two-button control unit and the use of top quality materials, these devices are not only user friendly, they are also extremely reliable. Available in a wide range of sizes, they can be internally rear or side mounted in a wide variety of people carriers. The aluminum structure of BAI lifts is completely corrosion proof and its light weight construction ensures considerable fuel saving, whilst remaining sturdy and reliable.



made in
Italy



Lower fuel
consumption



Environment
friendly



Technical Features

	Baseplate width	Clear entry width	Traveling frame width	Overall platform length	Overall platform width	Overall lift height	Max loading height	Overall lift depth	Rated load capacity (Kg)	Lift weight (Kg)
	A	B	C	D	E	F	G	H		
BAI 1401	1290	975	1145	1400	900	1525	920	370	350	104
BAI 1402	1290	975	1145	1400	900	1510	880	295	350	106

Series BAI Technical specifications

Movement powered by two hydraulic cylinders
Anti-rust powder paint coating
100% corrosion and rust proof
Self-lubricating bushings and pins

All aluminum, one-piece platform with anti-slip surface
Two-button control unit
12-24V Electrical System
For use at temperatures between -30°C and +70°C
Valid EMC accreditation (E50)
EC standard compliant

AUTOLIFT S.r.l.

Via B. Trentin, 8 - 46020 Pegognaga (MN)

Tel. +39 0376 550375 - Fax +39 0376 553728 - E-mail info@autoliftsrl.com

www.autoliftsrl.com