

UNDERFLOOR LIFT



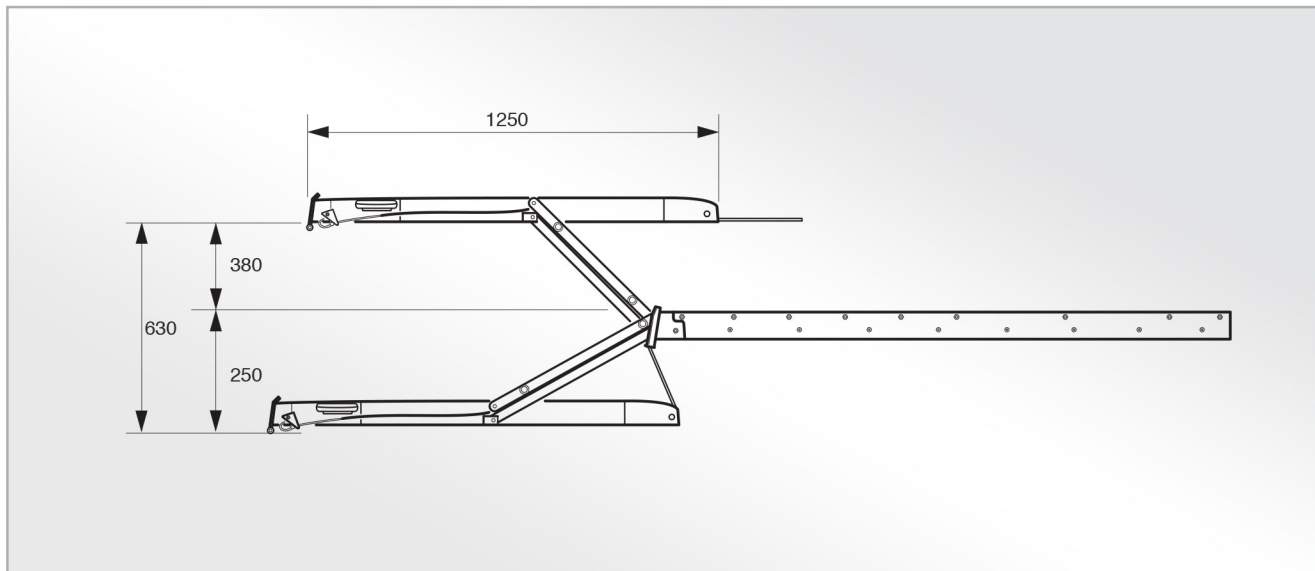
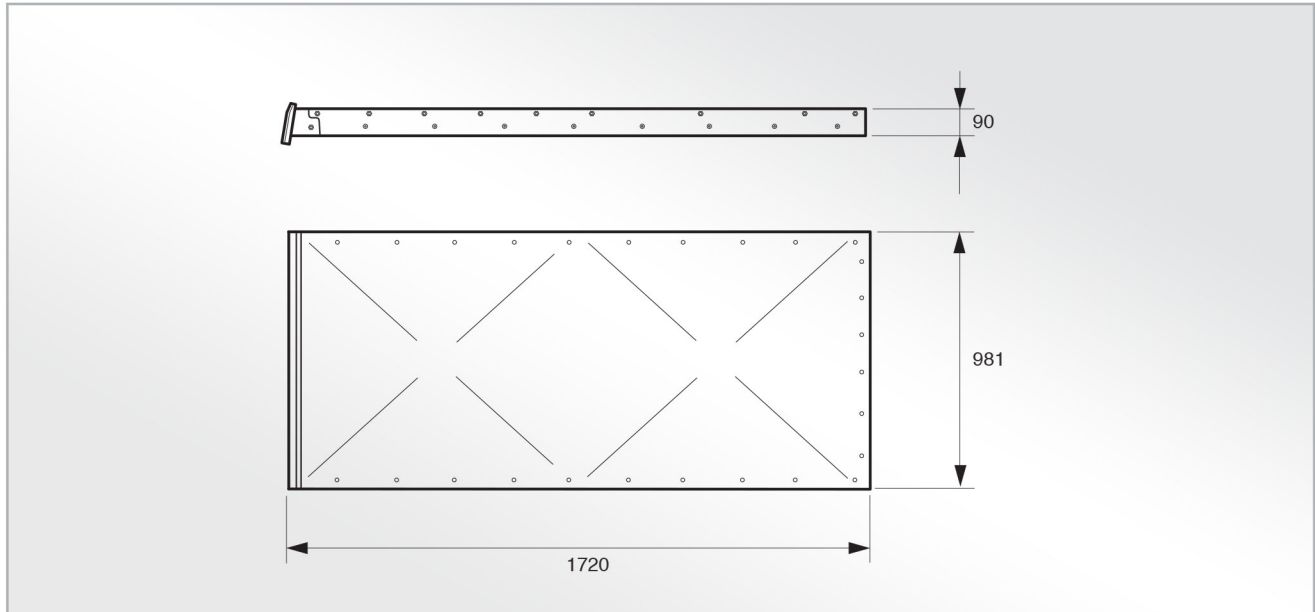
F900 is a retractable, completely automatic underfloor lift made in stainless steel and aluminum to be fixed in the side of the vehicle. Thanks to the extremely slim dimensions of the cassette F900 can be mounted on a wide range of vehicles for people transportation.

- Aluminum platform with warning lights
- Protection stainless steel cassette watertight with deep of 90mm
- Automatic safety-stop-plates for the wheel chair
- Powered through an electro-hydraulic unit and 2 cylinders
- Controlled through a 4 button pendant switch
- Auxiliary emergency hand pump

Optional

- Wireless Remote control

Technical Features



Model	F 900
Loading capacity	300 kg
Own weight	140 kg
Electrical System	12-24 Volt
Max Pressure	180 Bar
Platform Dimension	1200 x 800 mm
Max. Floor Height	630 mm
Emergency auxiliary manual pump.	